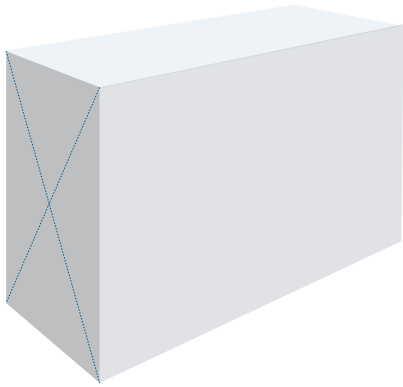
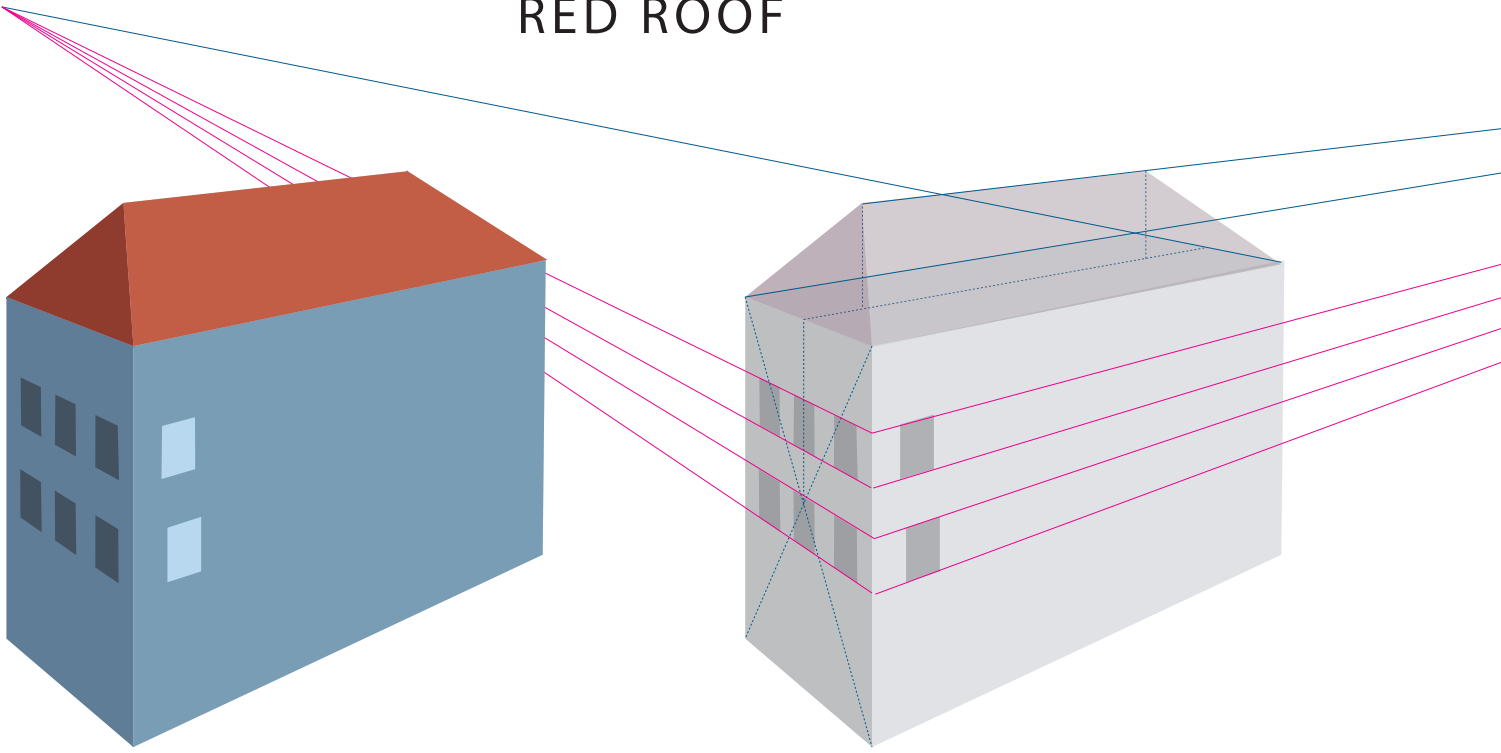
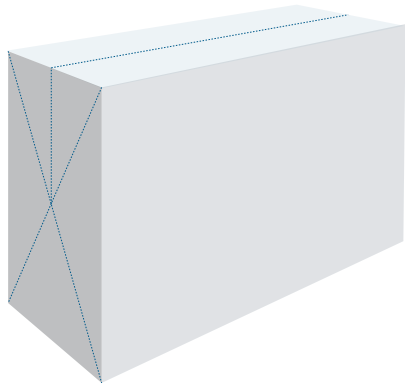


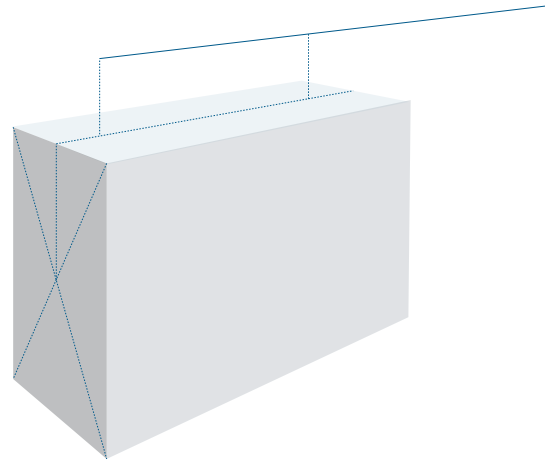
RED ROOF



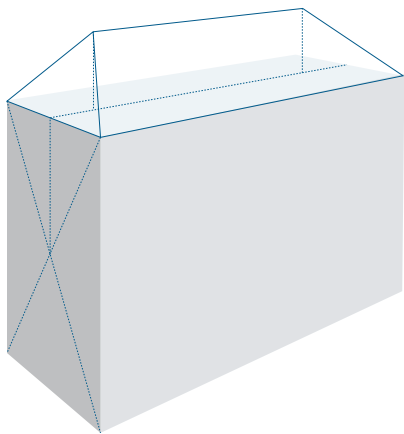
Find the center by drawing 2 diagonal lines on one side.



Add a vertical line from the center to define the top corner.
Draw a receding line from the top mark.



Add 2 vertical lines to mark the top ridge of the roof, connect them with a receding line.



Connect the corners of the building with the top points of the roof.

