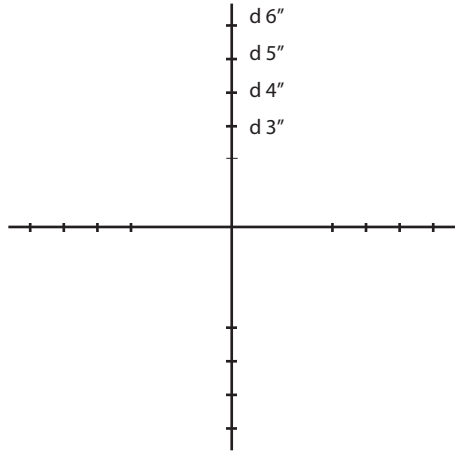
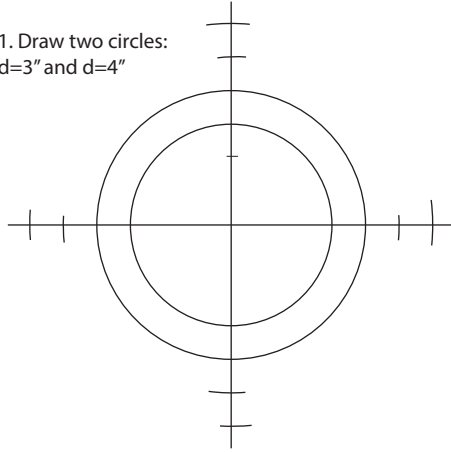


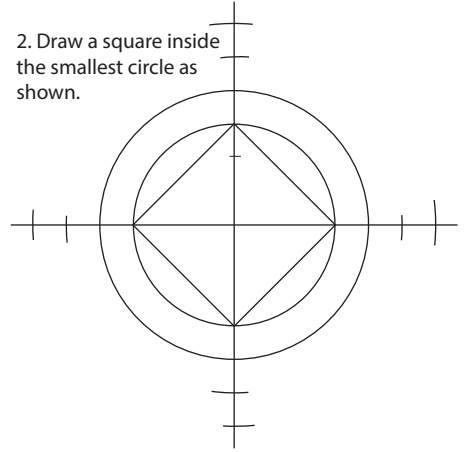
# KNOT WEAVING



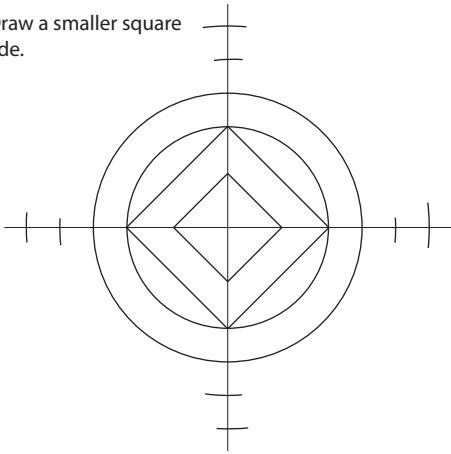
1. Draw two circles:  
d=3" and d=4"



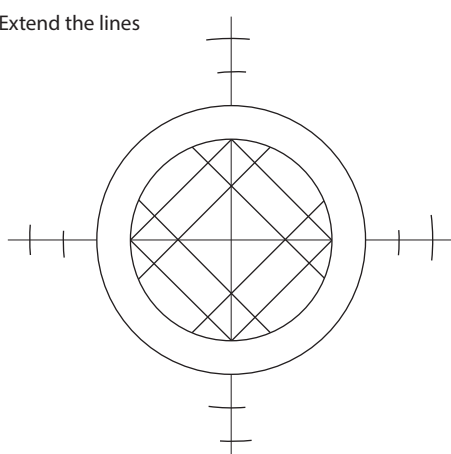
2. Draw a square inside  
the smallest circle as  
shown.



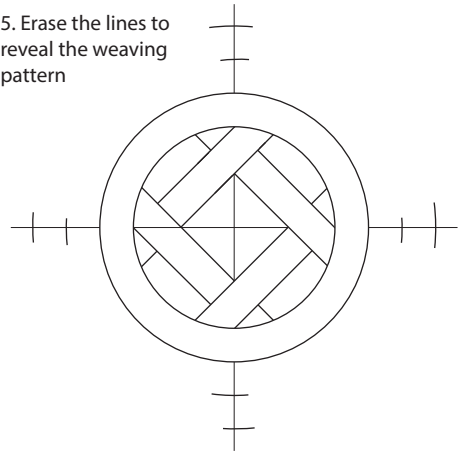
3. Draw a smaller square  
inside.



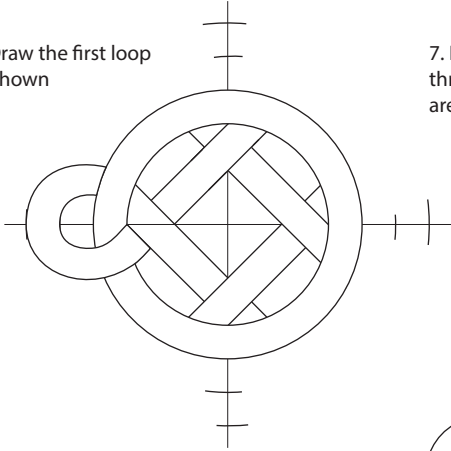
4. Extend the lines



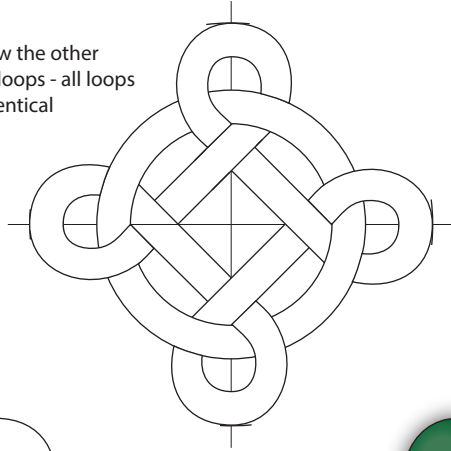
5. Erase the lines to  
reveal the weaving  
pattern



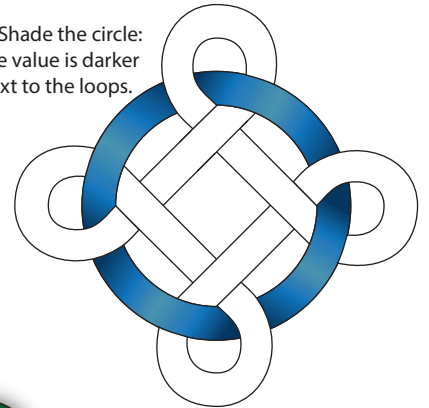
6. Draw the first loop  
as shown



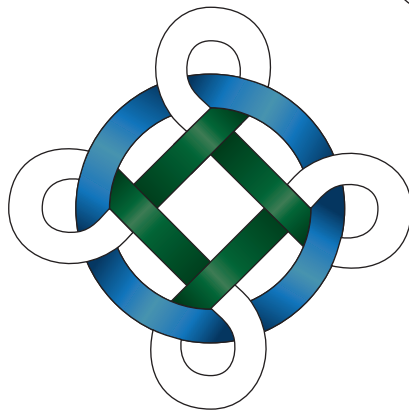
7. Draw the other  
three loops - all loops  
are identical



8. Shade the circle:  
the value is darker  
next to the loops.



9. Shade the ribbon:  
the value is lighter if the  
ribbon is on the top, and  
gets darker as it goes  
under another ribbon



10. Finish shading the  
ribbon, add background  
shadows next to the  
circle and the ribbons.

